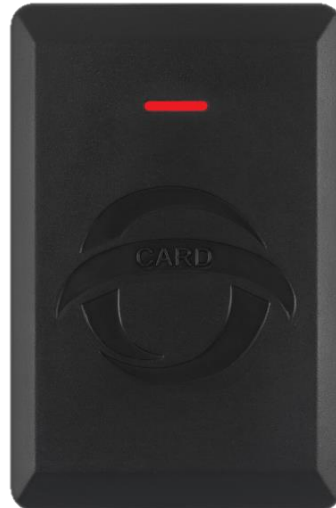


# OEC-R1H-E ID Card Reader

## Overview

OEC-R1H-E card reader is a contactless RF ID card reader used with Uniview access controllers. It adopts advanced RF receiving circuit, embedded microcontroller and efficient decoding algorithm to read 64bits read-only UEM4100 ID card data. With an access controller connected, it can read and upload ID card data to the access controller. It features high sensitivity, low operating current and single DC power supply, and is suitable for access control, attendance management and other scenarios.



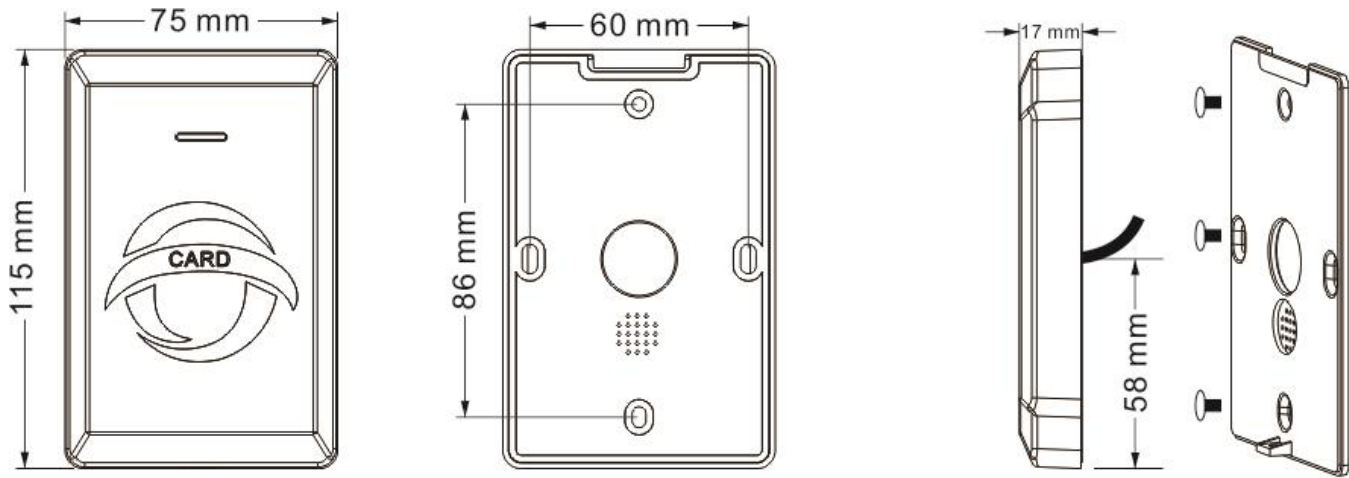
## Features

- Supports UEM4100 ID cards (64bits, Manchester code).
- 0 to 10cm reading distance.
- Less than 200ms response time within the effective reading distance.
- Wiegand output.
- Built-in blue/green LED and buzzer for alarm indication.
- Low operating current, single DC power supply.
- Stable, sensitive and responsive.

## Parameter

Parameter	Description
Reading distance	0 to 10cm
Card support	UEM4100 ID card (64bits, Manchester code)
Response time	≤0.2s
Terminal distance	≤5m
Power supply	Operating voltage: DC10.8 to 13.8V, operating current: 50 to 70mA
Operating environment	Temperature: -10°C to +65°C, humidity: 10% to 90%
Dimensions	115 × 75 × 17 mm (L*W*H)
Interface	1 Wiegand output (Wiegand26/34)
Operating frequency	125KHz

## Dimensions



### Zhejiang Uniview Technologies Co., Ltd.

Building No.10, Wanlun Science Park, Jiangling Road 88, Binjiang District, Hangzhou, Zhejiang, China

Email: [overseasbusiness@uniview.com](mailto:overseasbusiness@uniview.com); [globalsupport@uniview.com](mailto:globalsupport@uniview.com)

<http://www.uniview.com>

©2022 Zhejiang Uniview Technologies Co., Ltd. All rights reserved.

\* Product specifications and availability are subject to change without notice.